

CC80-Series

Internal-Mount End Block

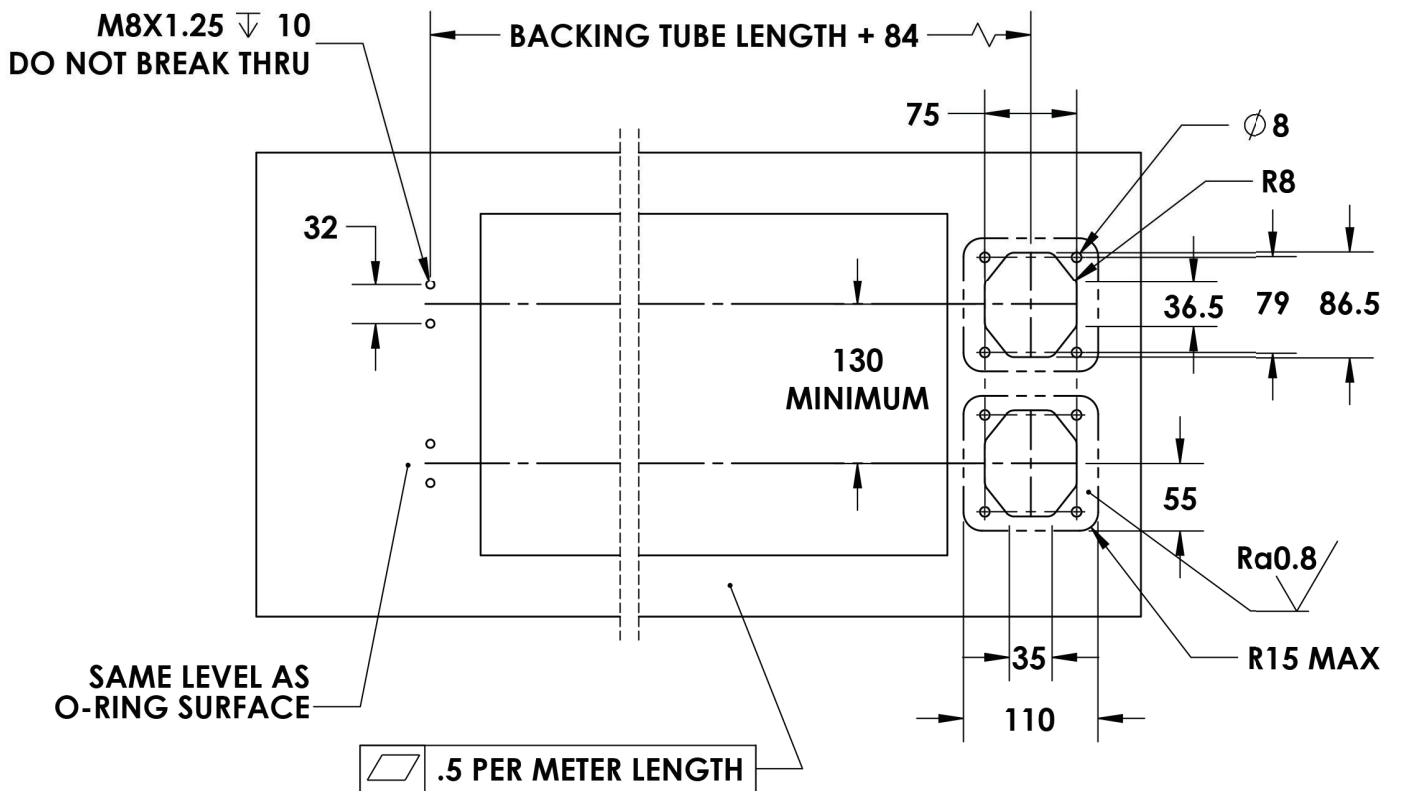
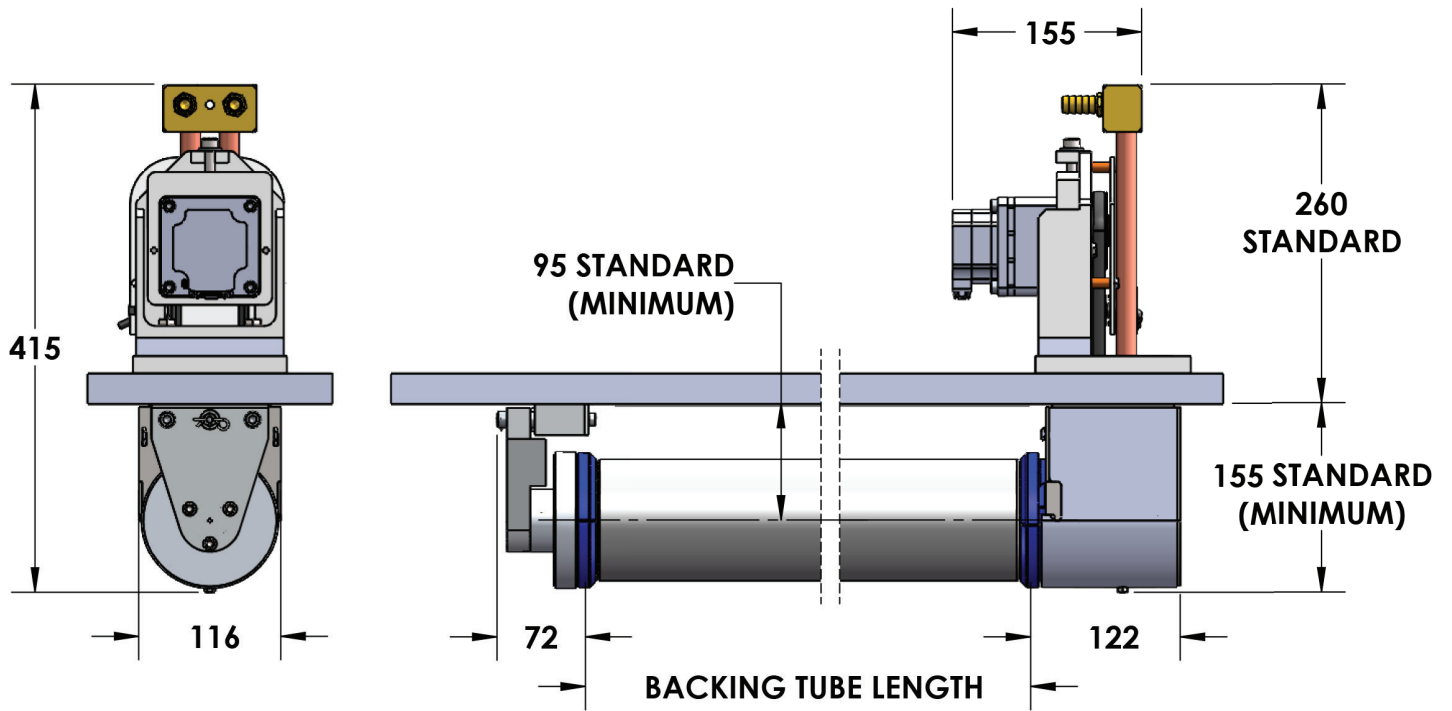
With its extremely compact package, the CC80 is designed for 80 mm ID targets, making it an excellent choice for small systems or R&D systems.

Use in new systems or upgrade from planar systems to increase the output and quality of your existing coater.

TECHNICAL SPECIFICATIONS

Maximum Power	▶ 20 kW DC or MFAC
V/A	▶ 1500 V 50 A
Maximum Target Length	▶ 1000 mm
Maintenance	▶ 1 hr./year average 3 hrs. for a rebuild





Dimensions in mm