

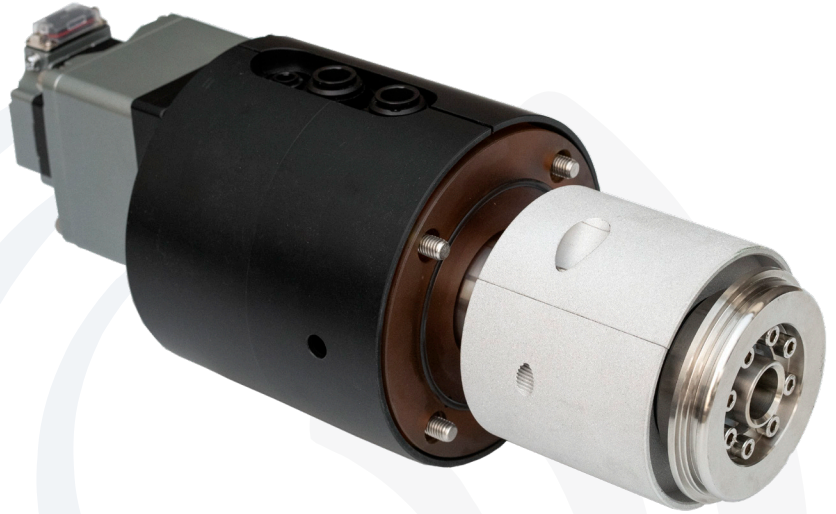
IM

External-Mount End Block

While the typical end block rotates a target tube around a stationary magnet bar, the IM external-mount end block continuously rotates the magnet bar inside a stationary target tube.

- For coating the insides of tubular-shaped objects
- For decorative or tool coatings (where objects are placed around the cathode)

The IM can be configured for targets with inside diameters of either 80 mm or 125 mm.

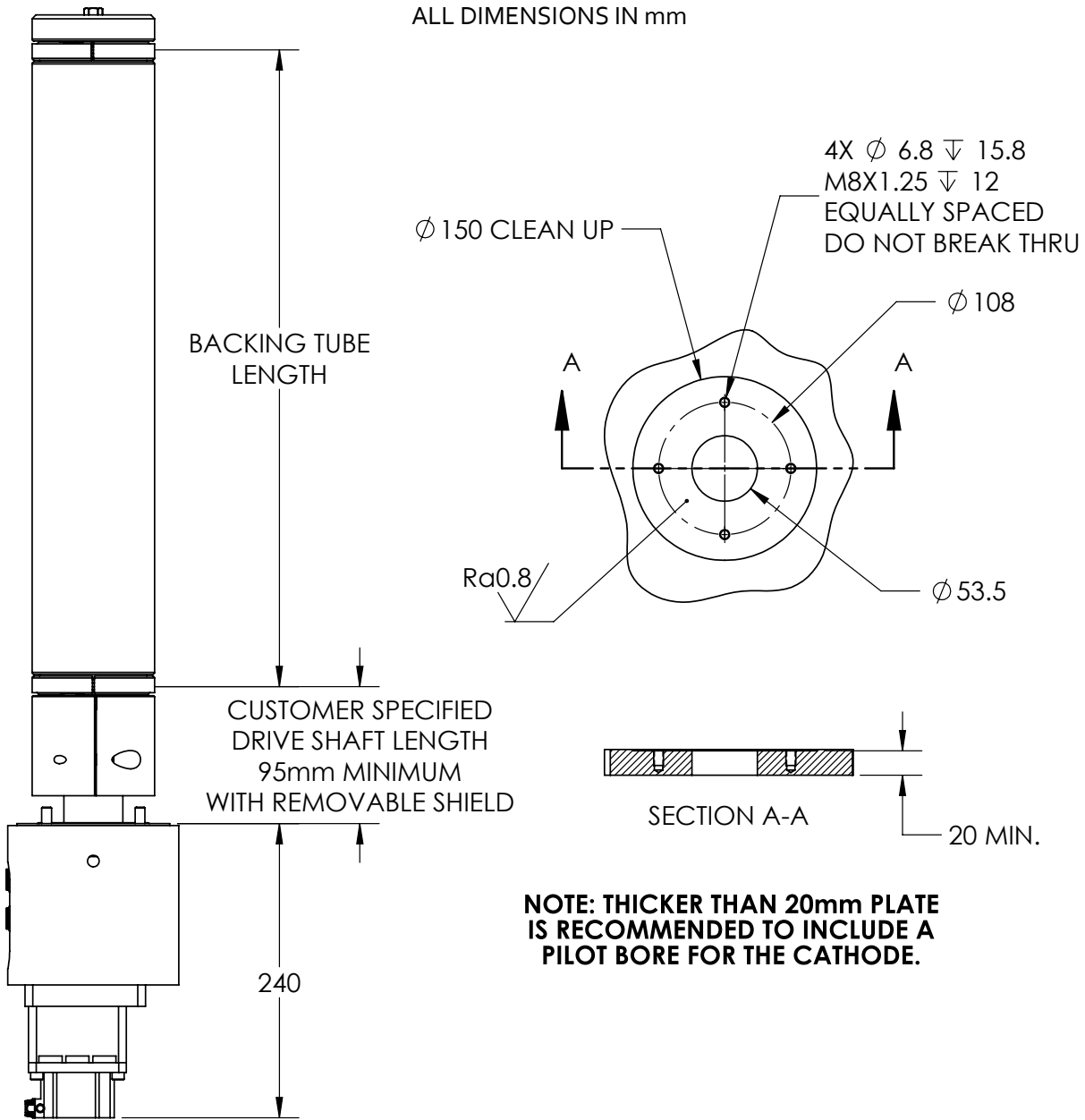


TECHNICAL SPECIFICATIONS

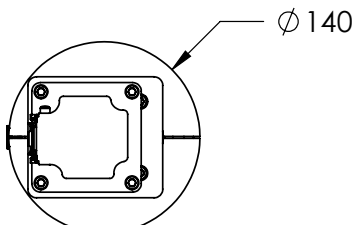
Maximum Power	▶ 60 kW DC or 80 kHz MFAC
V/A	▶ 1500 V 150 A
Maximum Target Length	▶ 2000 mm
Maintenance	▶ 1 hr./year to change seals

80 mm ID target

ALL DIMENSIONS IN mm



NOTE: THICKER THAN 20mm PLATE IS RECOMMENDED TO INCLUDE A PILOT BORE FOR THE CATHODE.



Cantilever capability

Metric: $XY/2 + 10X^2 \leq 23$

Imperial: $XY/2 + 0.33X^2 \leq 2,000$

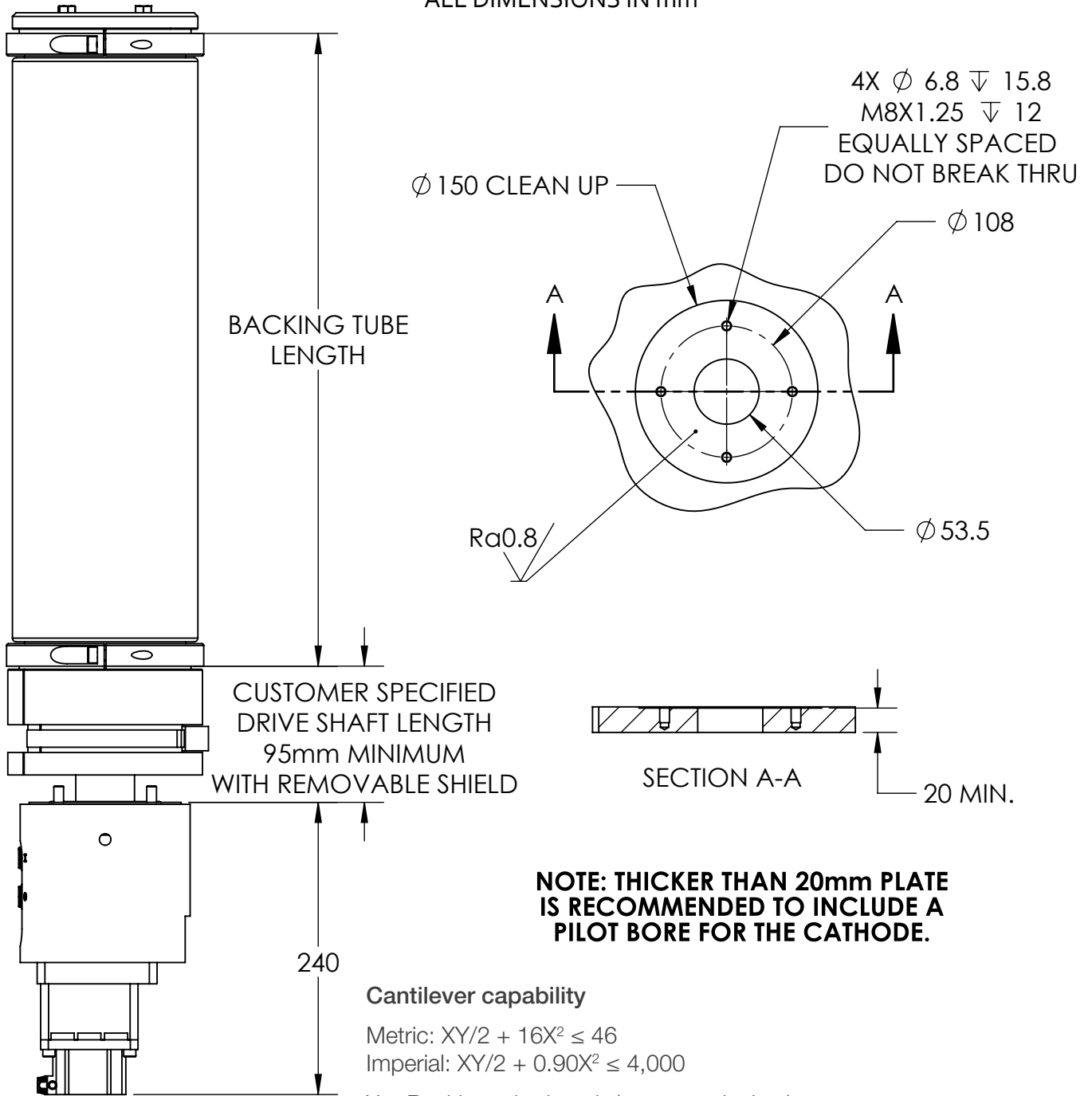
X = Backing tube length (meters or inches)

Y = Weight of target (kg or lb only)

Note: The formula assumes a stainless steel backing tube; other materials may not qualify.

125 mm ID target

ALL DIMENSIONS IN mm



NOTE: THICKER THAN 20mm PLATE IS RECOMMENDED TO INCLUDE A PILOT BORE FOR THE CATHODE.

Cantilever capability

Metric: $XY/2 + 16X^2 \leq 46$

Imperial: $XY/2 + 0.90X^2 \leq 4,000$

X = Backing tube length (meters or inches)

Y = Weight of target (kg or lb only)

Note: The formula assumes a stainless steel backing tube; other materials may not qualify.

