

TC-SERIES

Internal-Mount End Block



Designed to replace planar cathodes where space is very limited on the ends, the TC-Series internal-mount end block provides performance in a compact package.

The TC end block is the most compact design available for standard 125 mm ID industrial targets but is a two-ended design.

Use it to upgrade from planar systems to increase the output and quality of your existing coater.

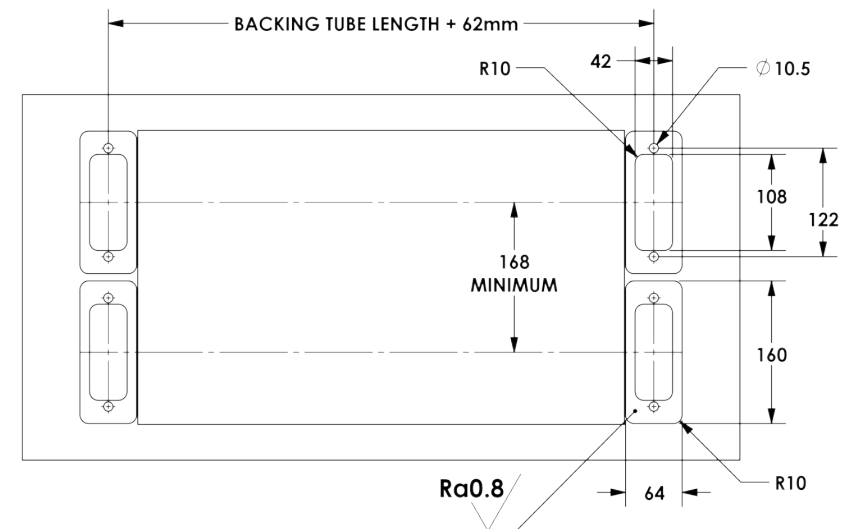
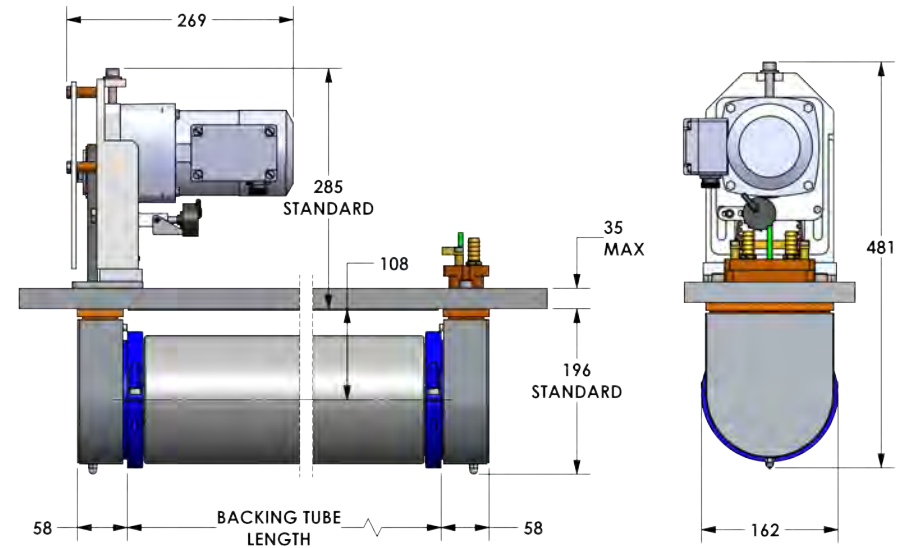


FEATURES

- Patented power-delivery technology
- Unique target attachment method
- Durable, long-life rotary seals
- Most compact design available
- Non-proprietary target design
- Patented target water fill/drain feature
- Fits standard target sizes

TECHNICAL SPECIFICATIONS

Type	Double sided for the widest possible substrate coverage
Power (Maximum)	40 kW DC or MFAC
V/A	1500 V / 100 A
Target Length (Maximum)	1500 mm
Thickness	58 mm on each side
Average weight	10 kg
Maintenance	2 hr./year average 1 hrs. for a rebuild for each side



Dimensions in mm