

SM-SERIES

External-Mount End Block



The SM is our largest external-mount end block.

External end blocks have a wider substrate coverage than internal models. To match any system, drive shaft length is customizable, and drive motors can be mounted inward or outward and at any angle around the main housing. Magnet bar adjustments—to any angle—are made externally. All utilities are external and remain attached during target changes. The water seal cartridge is easily accessed for quick replacement.

With brushless power transfer, it has a simple, singled-ended design with outboard support (if needed) for quick target changes, high reliability and easy, do-it-yourself maintenance; for 125 mm ID targets.

Use in new systems or upgrade from planar systems.

SCI can provide coater integration support.



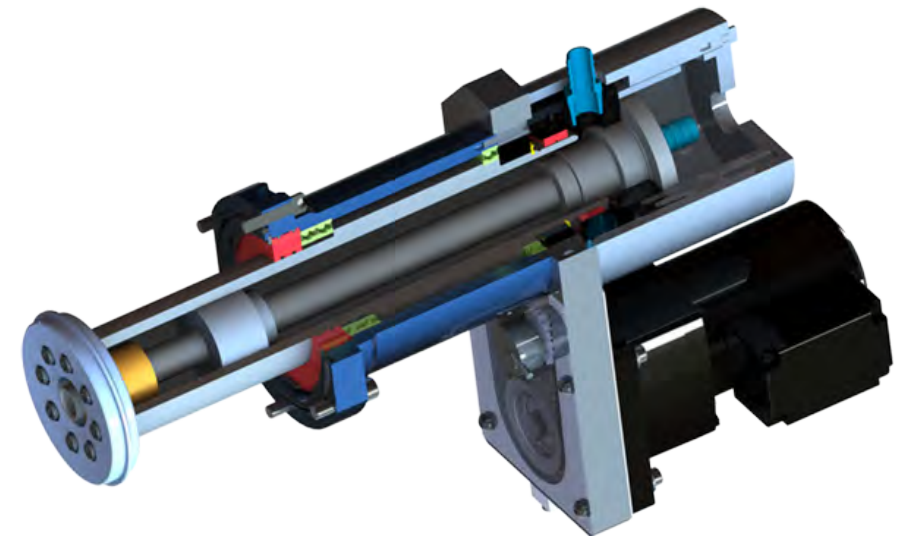
FEATURES

- Customizable drive shaft length
- Compact and flexible form factor
- Easy access water seal cartridge
- Patented power-delivery technology
- Simple design - fewer parts and highly reliable
- Magnet bar externally adjusts to any angle
- Patented target water fill/drain feature



BENEFITS

Fill and drain	Patented; water completely fills the target for cooler operating temperature/high power; completely drains for target changes
Drive bearings	Exclusive to SCI; tested to verify years of trouble-free operation
Power transfer	Brushless, patented; no brushes to replace and no carbon brush dust; high power rating and reliable power transfer
Vacuum, water seals	Dual lip and redundant; tolerate running dry; easily replaced without removing the end block (water seal); can be monitored
Target attachment	Attaches to targets from any vendor for economical sourcing; high load bearing; fast target changes
Mounting	Can be mounted in any orientation using existing mounting holes and utility connections; externally adjustable sputter angle
Drive	Robust, reliable inverter-duty motor and belt drive; motors mounted inward, outward or anywhere around the housing; monitored rotation



TECHNICAL SPECIFICATIONS

Type	Simple, singled-ended design with outboard support if required for quick target changes, high reliability and easy maintenance
Power (Maximum)	200 kW DC or MFAC
V/A	1500 V / 450 A
Target Length (Maximum)	4000 mm
Average weight	60 kg
Maintenance	1 hr./year average 3 hrs. for a rebuild

Cantilever capability

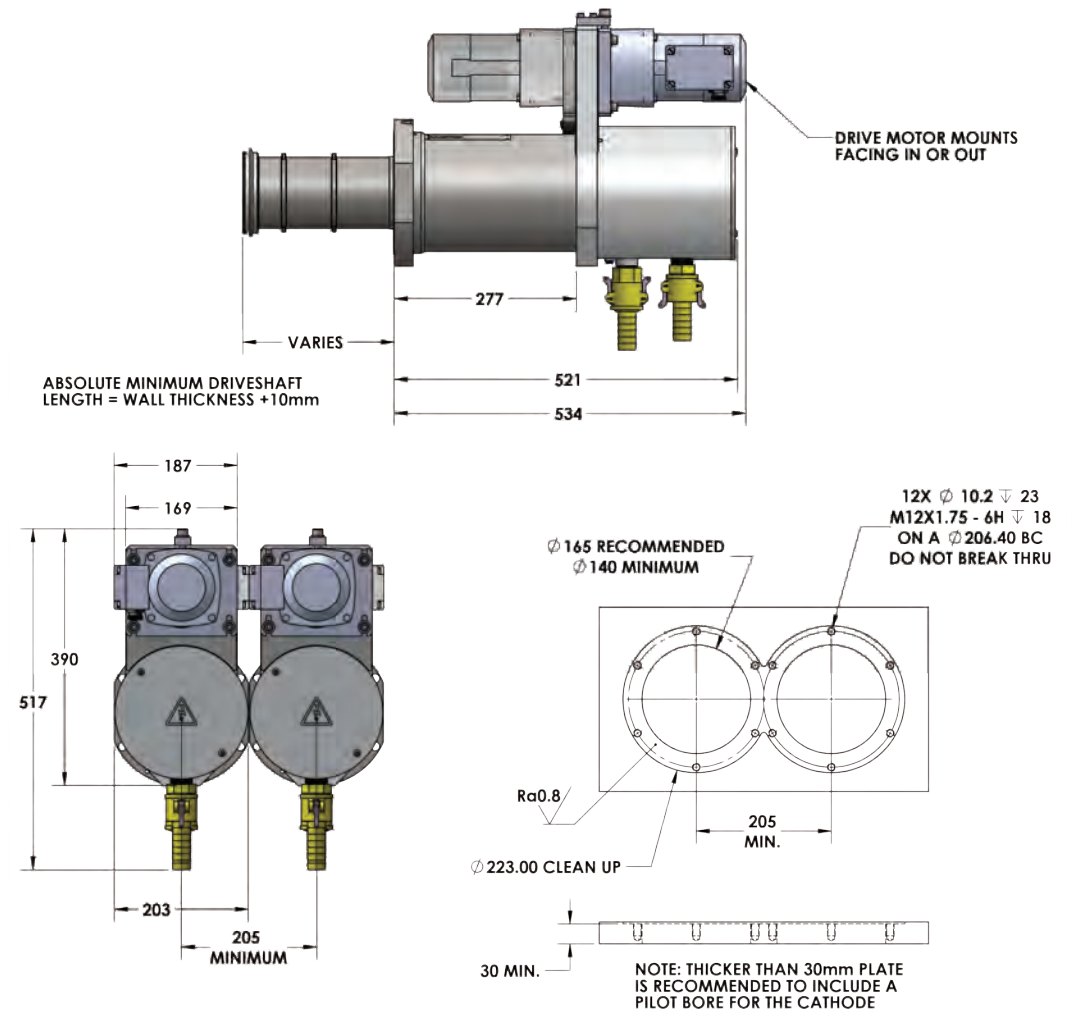
Metric: $XY/2 + 16X^2 \leq 92$

Imperial: $XY/2 + 0.90X^2 \leq 8,000$

X = Backing tube length (meters or inches)

Y = Weight of target (kg or lb only)

Notes: The formula assumes a stainless steel backing tube; other materials may not qualify. The formula must be adjusted for long drive shafts or if a RAM-Bar™ will be used.



Dimensions in mm