

FEATURES:

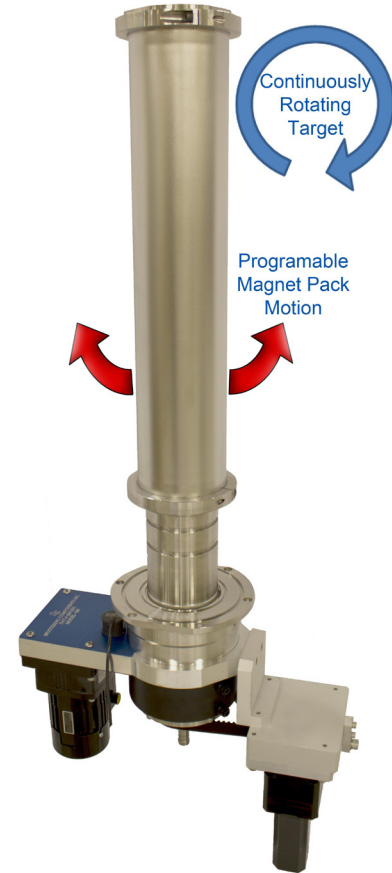
- Designed to coat static substrates using a customer-programmable magnet pack swing motion.
- Customizable drive shaft length
- Patented power-delivery technology
- Compact and flexible form factor
- Easy access seal cartridges
- Patented target water fill/drain feature
- Simple design - fewer parts

BENEFITS:

- All utilities are external and remain attached during target changeover.
- High-power with no inductive heating impact
- No brush dust
- High-packing density; dual cathodes in a 400mm space (205mm center-to-center)
- Simple, in-house maintenance
- Keeps your coater dry during target changes, which reduces pump time and stabilizes your process much faster

RETROFIT:

- Coater modification and integration support available
- Compact and flexible design to fit almost every chamber style
- Switch between planars and sidemounts in the same slot



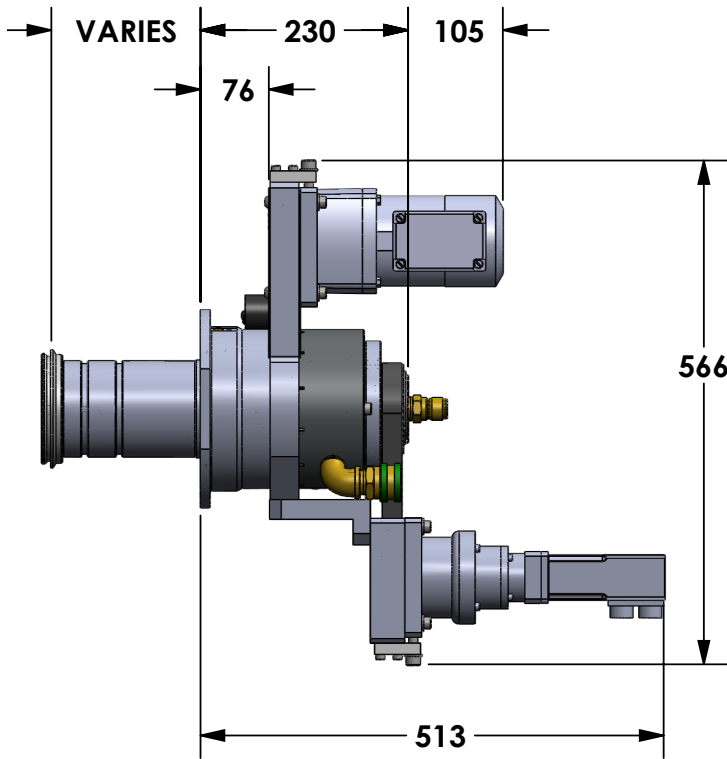
SCI Short Bottom Mount Swing Cathode™
(Patent Pending)

NEW SYSTEM INSTALLATIONS:

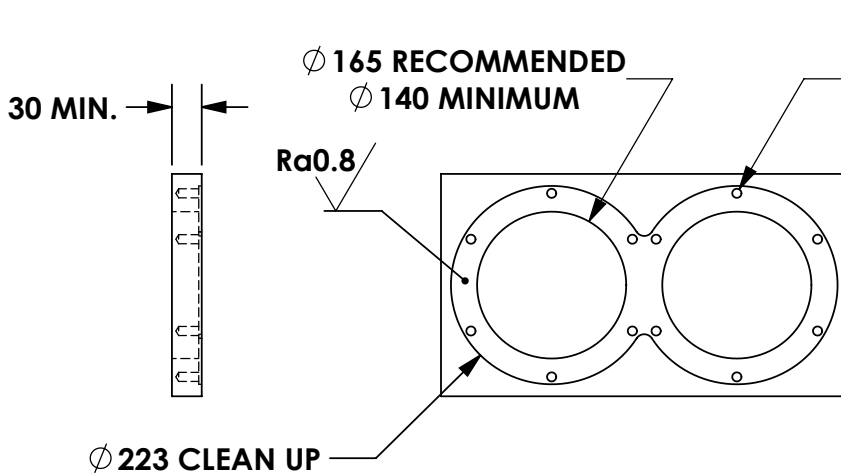
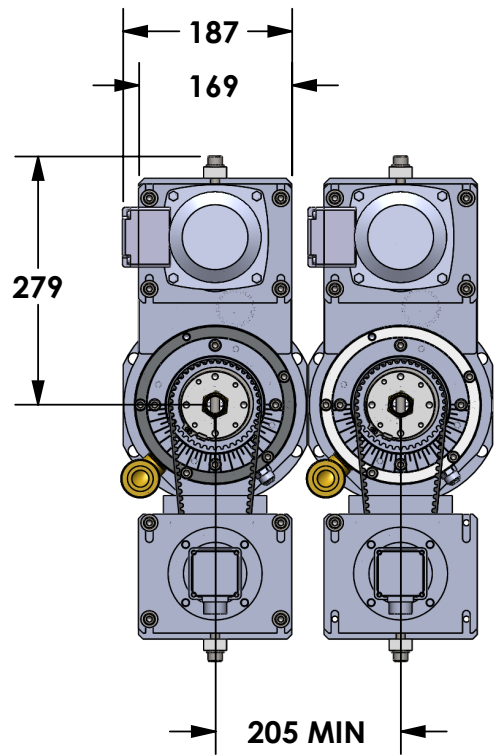
- SCI's compact design allows chamber design flexibility and the ability to install more cathodes in your system
- Integrate with TRM-Bar™ or QRM-Bar™ magnetics and e-Cathode™ lid systems

Model	Power	V/A	Target (mm)
SMBS	Up to 200kW DC or 80 kHz AC	1000v/450A	Up to 2000

The SCI SMBS-Series Swing Mount Rotary Cathode uses the same patented technology as our SC-Series end block to deliver outstanding value, performance, and reliability in a compact package



NOTE: POSITION AND SIZE OF SERVO MAY VARY



6X $\phi 10.20 \nabla 22$
M12X1.75 $\nabla 18$
ON A $\phi 206.40$ BC
DO NOT BREAK THRU

NOTE: THICKER THAN 30mm PLATE IS RECOMMENDED TO INCLUDE A PILOT BORE FOR THE CATHODE.