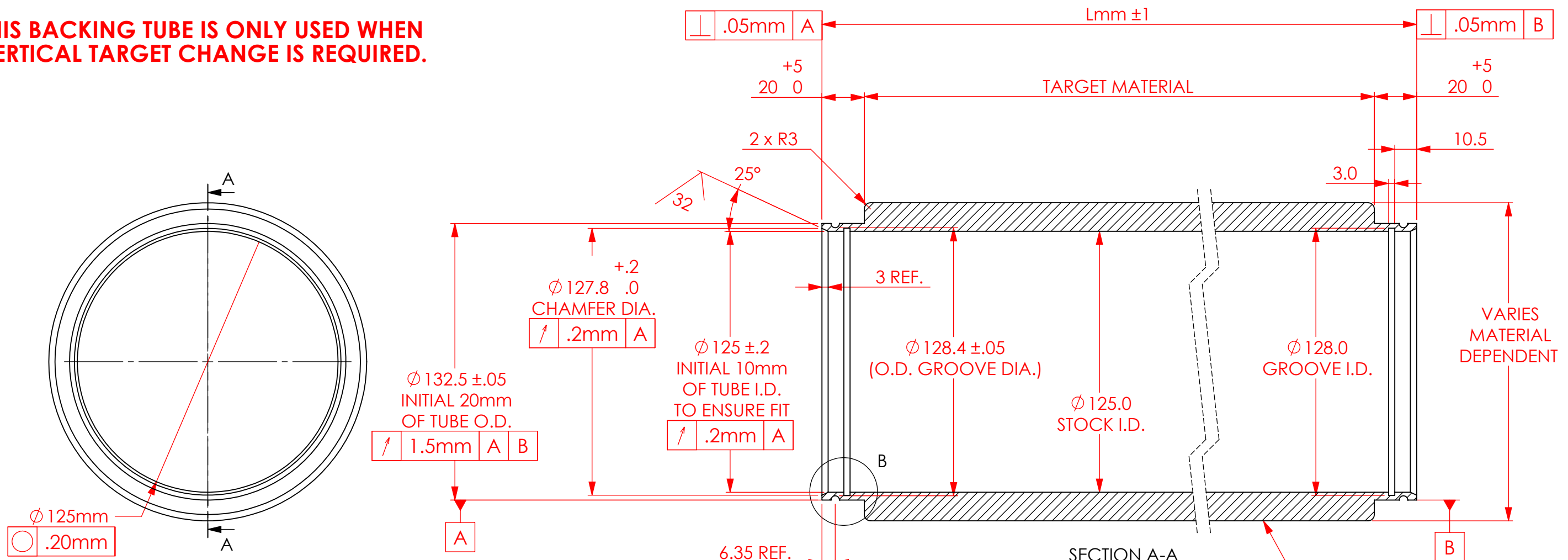
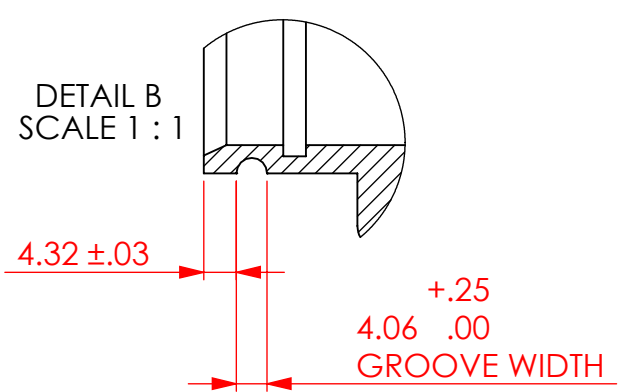


8	7	6	5	4	3	2	1		
program #	op	machine	\$	EACH Qty. 2	REVISIONS				
.		lathe			ZONE	REV.	DESCRIPTION	DATE	APPROVED
						A	UPDATED TOLERANCING	2/8/2010	DC

THIS BACKING TUBE IS ONLY USED WHEN VERTICAL TARGET CHANGE IS REQUIRED.



Ø 125mm
○ .20mm



NOTE: DIMENSIONS ARE TYPICAL ON BOTH ENDS OF THE PART. FOR OUT OF ROUND TUBES, ENDS MUST BE BORED TO DIMENSION SHOWN.

- NOTES:
- BREAK AND DEBURR ALL EDGES .25mm MAX.
 - CLEAN PART FOR USE IN A VACUUM ENVIRONMENT.
 - PACKAGE PART TO PROTECT FROM DAMAGE AND TO ENSURE CLEANLINESS.

UNLESS OTHERWISE SPECIFIED:

X = ± 1
.X = ± .5
.XX = ± .25
.XXX = ± .125
INTERPRET GEOMETRIC TOLERANCING PER:
WEIGHT
DRAWN BY
DO NOT SCALE DRAWING

SPUTTERING COMPONENTS, INC. 5625 BRISA STREET SUITE A LIVERMORE, CA 94550				
TITLE: SCI METRIC TARGET WITH RETAINER				
SIZE	DATE DRAWN	DWG. NO.	SCALE	REV
B	10/9/09	SCTR	1:2	A
MATERIAL: VARIES		FINISH:		SHEET 1 OF 1