

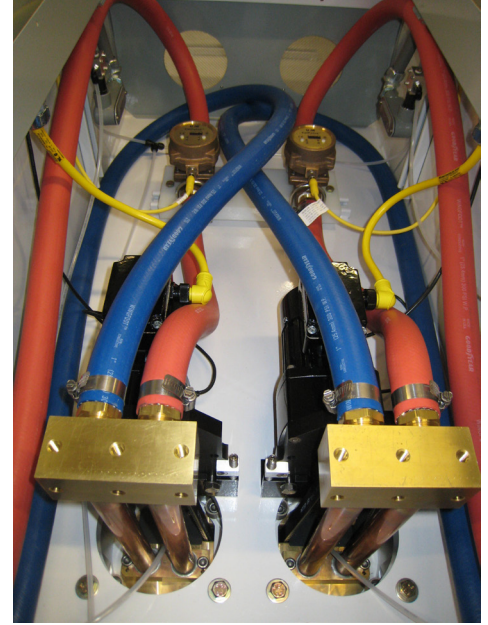
# End Block Upgrades

SCI offers direct end block bolt-in replacements for the following major OEMs:

- Von Ardenne®<sup>1</sup>
- Applied Materials®<sup>2</sup>
- BOC/Airco®<sup>3</sup>
- Bekaert®<sup>4</sup>
- Leybold Optics

Your lids can be sent to our facility for retrofit or we will provide you with components for field upgrades. Trained technicians are also available to help you with your installation.

The upgraded lid systems remain compatible with your existing control system.



NO.	MFG/PUR	ITEM #	Model Number	Description	QTY.	ASM
1		101457	SC2B-P1038-ASM-A	SC END BLOCK LEFT ASM, P1038	1	
2		102738		SC END BLOCK RIGHT ASM, P1038	1	
3		101837	SC58D-P1038-ASM-A	TARGET ENDCAP ASM, P1138	2	
4		101839		SC BNLL OUTBOARD ASM, P1038	2	
5		101472	CK5VA-ASM-A	SCI - VAAT TARGET CLAMP ASM	4	
6		101850	SCDA31-P1038-ASM-B	SC DRIVE ASSEMBLY, P1038	2	
7		101476	SCD00-P1038-ASM-A	SC292 DARK SPACE SHIELD ASM, P1038	2	
8		101841	SCS-P1038	SCS-P1038 OUTBOARD BASE	1	
9		101842	SCB-P1038	SC DRIVE MOUNTING BRACKET, P1038	1	
10		101681	MBSHNG-P1038	770 MOUNTING BOLT BUSHING	12	
11	PUR	101591	M12X1.75X50HHCS-SS	M12 X 1.75 X 50 HHCS-SS	16	
12		101682	SFA-P1038	MAGNET BAR SUPPORT FLNG ADPTR,P1038	2	
13	PUR	101598	-215	-215 O-RING	4	
14		101848	SCPNPT1-T17-ASM-A	SC PWR&WTR, 1"HOSE, 1"NPT, 17T	2	
15	PUR	100101	-350	-350 O-RING, VITON	4	
16	PUR	100100	-369	-369 O-RING, VITON	2	

corner marks  
fowards center

UNLESS OTHERWISE SPECIFIED:		<b>SPUTTERING COMPONENTS, INC.</b>	
BREAK ALL CORNERS .015 typ.		375 Alexander Dr. SW, Owatonna, MN 55060	
Imperial	metric	CONFIDENTIAL: UNAUTHORIZED USE, MANUFACTURE OR REPRODUCTION IN WHOLE OR IN PART IS PROHIBITED.	
X.0 ± .030	X.0 ± .1	PROPRIETARY TO: SPUTTERING COMPONENTS, INC.	
0.X ± .015	0.X ± .5	TITLE: SC ASSEMBLY, SPUTTER DOWN, P1060	
0.XX ± .010	0.XX ± .25	SIZE	DATE DRAWN
0.XXX ± .005	0.XXX ± .125	<b>B</b>	12/21/2010
WEIGHT		PART NO.	101834
DRAWN BY		MOD NO.	SCG-P1060D
MICHELLE NEAL		SCALE	1:5
DO NOT SCALE DRAWING		FINISH:	
		SHEET 1 OF 1	

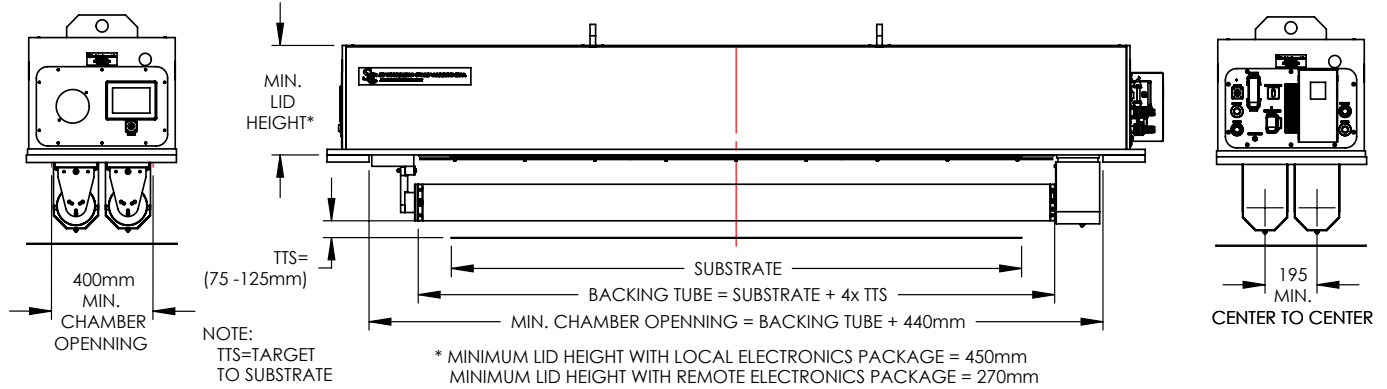
## SCI end block upgrade kit for new generation Von Ardenne®<sup>1</sup> Coaters

<sup>1</sup> Von Ardenne® is a registered trademark of Von Ardenne Anlagentechnik GmbH.  
<sup>2</sup> Applied Materials® is a registered trademark of Applied Materials, Inc.

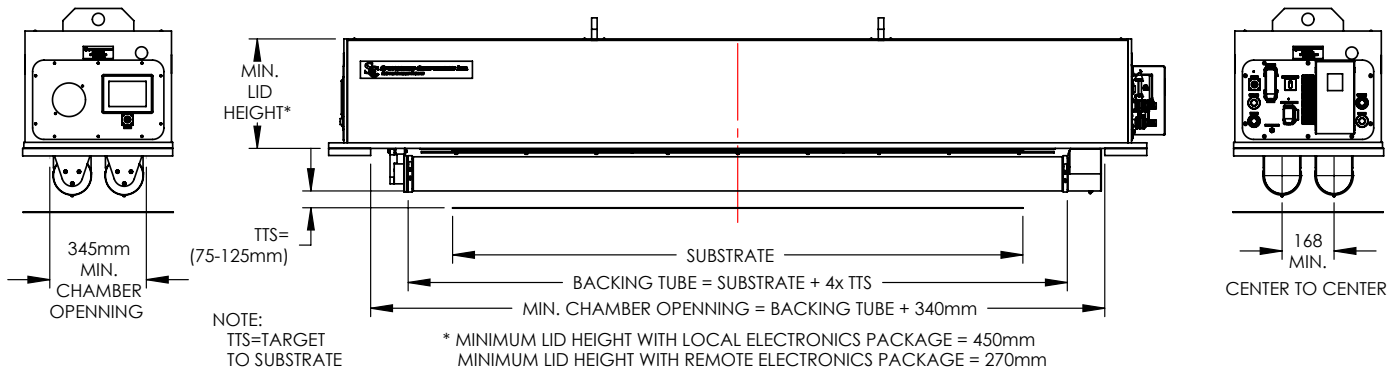
<sup>3</sup> BOC® and Airco® are registered trademarks of The BOC Group, Inc.  
<sup>4</sup> Bekaert® is a registered trademark of N.V. BEKAERT S.A. PUBLIC LIMITED COMPANY BELGIUM

The SCI e-Cathode™ is a complete cathode solution. SCI e-Cathode™ lid systems are available in digital and analog styles and are adaptable to meet your needs.

## SC Model Lid Dimensional Information



## MC Model Lid Dimensional Information



Feature	Digital e-Cathode™	Analog e-Cathode™	Basic e-Cathode™
Onboard logic	PLC	Relay	None
Interlocks	Full	Full	HV Only
Control	Local (touch screen) Remote (Ethernet, Profibus, etc.)	Local (lights, switches) Remote (discrete I/O)	All sensors wired to the connector
Water Flow	Flow rate (LPM) report	Flow switch	Customer supplied, external
Water Temperature	Water temp report	No	No
Onboard MFC Option	Yes	No	No
Differential pumping Option	Yes	Yes	Yes
Customizable	Yes (operating hours, kWh, etc.)	No	No