

FEATURES:

- Customized drive shaft length
- Patented power-delivery technology
- Ultra compact and flexible form factor
- Easy access seal cartridges
- Magnet bar externally adjustable to any angle
- Patented target water fill/drain feature
- Simple design - fewer parts

BENEFITS:

- All utilities are external
- Utilities remain attached during target change-over
- Wider glass coverage than traditional end blocks
- Fits most chamber designs
- High-power with no inductive heating impact - no brush dust.
- High-packing density; dual cathodes in 350mm space (171mm center-to-center)
- Drive motors mount up, down, sideways, in or out
- Simple, in-house maintenance
- Allows co-sputtering, tighter plasma coupling, and limits shield coating
- Keeps your coater dry during target changes, which reduces pump time and stabilizes your process much faster



Patented SCI MM-Series Side Mount Rotary Cathode

RETROFIT:

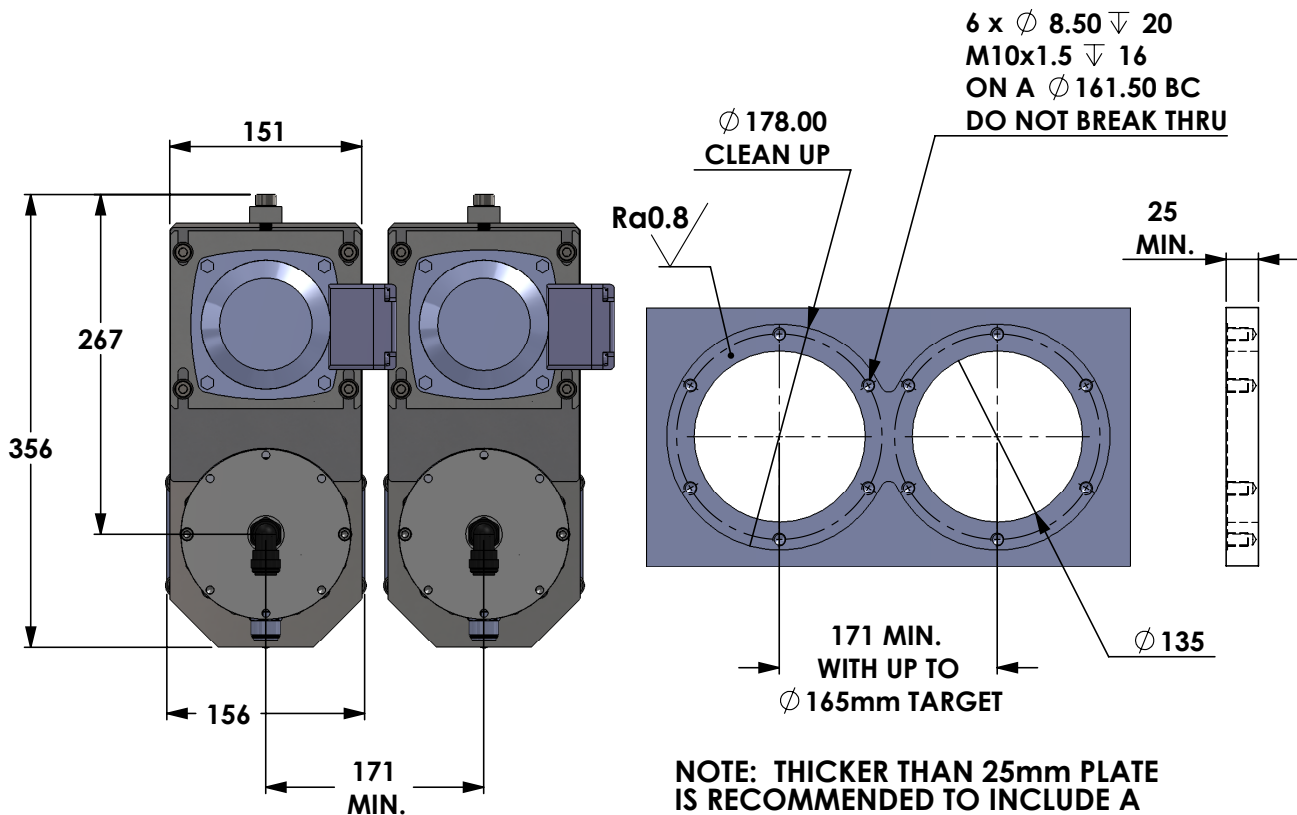
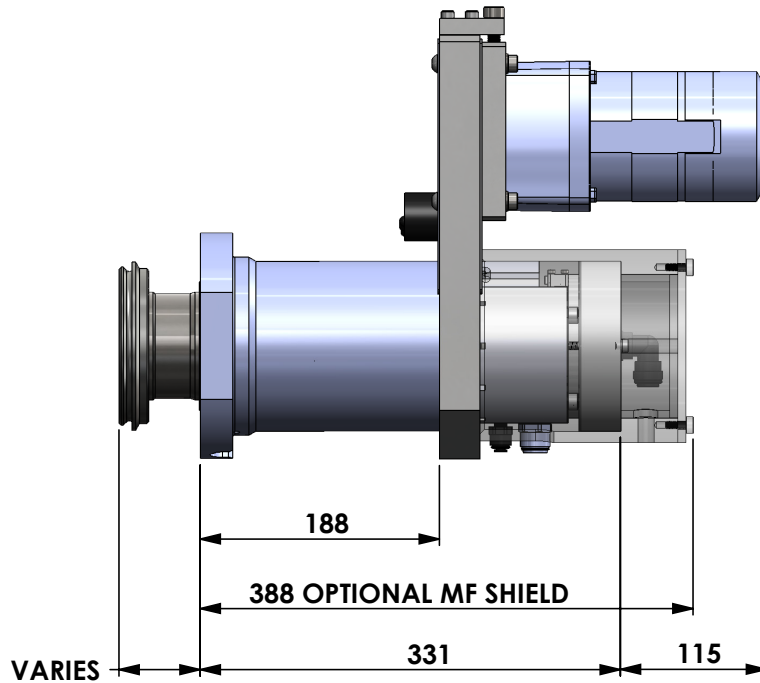
- Coater modification and integration support available
- Ultra compact and flexible design to fit almost every chamber style
- Switch between planars and sidemounts in the same slot

NEW SYSTEM INSTALLATIONS:

- SCI's compact design allows chamber design flexibility and the ability to install more cathodes in your system
- Integrate with TRM-Bar™ or QRM-Bar™ magnetics and e-Cathode™ lid systems

Model	Power	V/A	Target (mm)
MM	Up to 100kW DC or 80 kHz MFAC	1000v/225A	Up to 2000

The SCI MM-Series Side Mount Rotary Cathode uses the same patented technology as our MC-Series end block to deliver outstanding value, performance, and reliability in an ultra-compact design



NOTE: THICKER THAN 25mm PLATE IS RECOMMENDED TO INCLUDE A PILOT BORE FOR THE CATHODE.