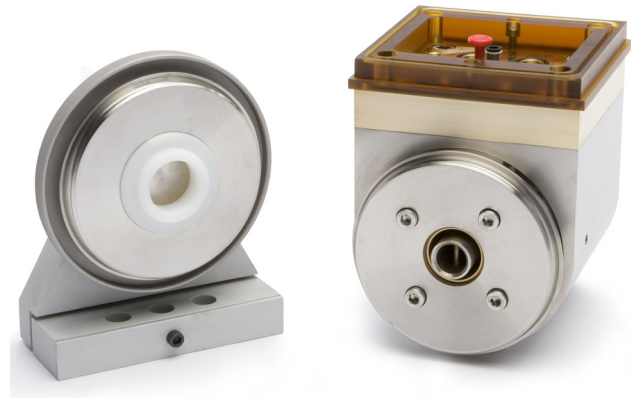


## FEATURES:

- Patented power-delivery technology
- Unique target attachment method
- Durable, long-life rotary seals
- Compact design
- Non-proprietary target design
- Patented target water fill/drain feature



**Patented SCI MC-Series End Block**

## BENEFITS:

- Highest reliability
- Simplest to install or retrofit
- Fastest target change available
- 1-hour annual maintenance
- 3-hour total end block rebuild
- Lowest maintenance cost
- Use targets from any vendor
- No inductive heating impact
- No galvanic corrosion

## RETROFIT:

- Coater modification and integration support available
- No lid modifications required
- Use existing utilities
- No changes to power, gas, or anodes
- Keep your current magnet assemblies or upgrade to SCI's TRM-Bar™ or QRM-Bar™ magnetics
- Adaptable to your current target design
- Use for any length system

## NEW SYSTEM INSTALLATIONS:

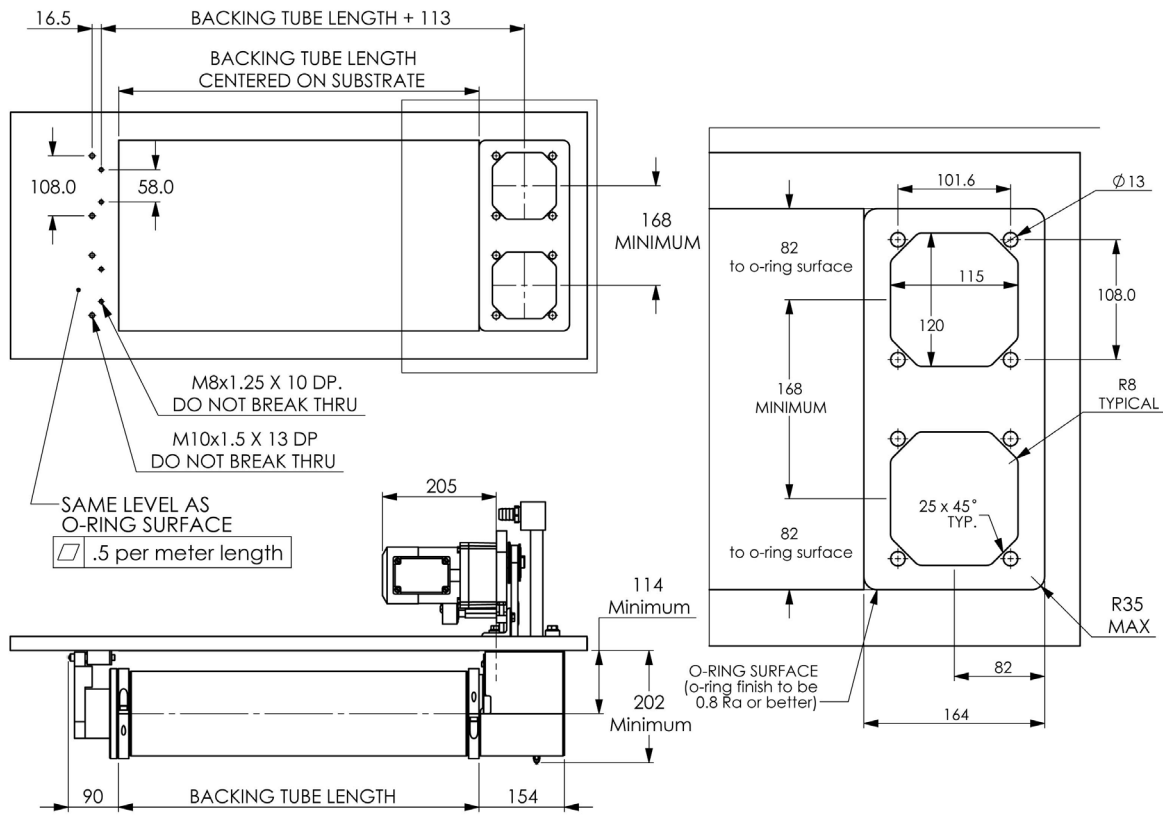
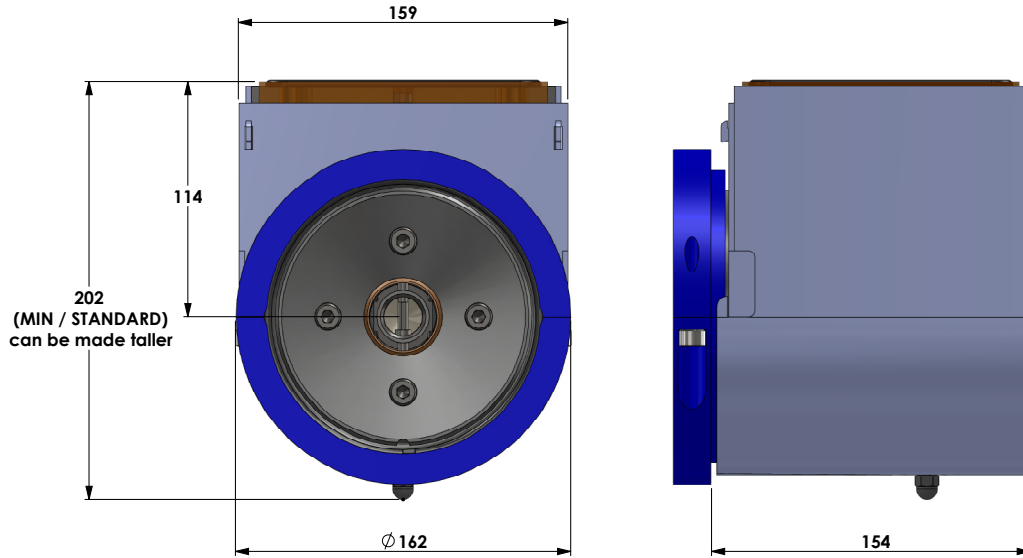
- Available as individual end blocks, end blocks plus SCI's TRM-Bar™ or QRM-Bar™ magnetics, or complete e-Cathode™ lid systems with drive and utilities - ready to drop-in.

## UPGRADE PLANARS TO ROTARIES:

- Increase the output and quality of your existing coater without adding chambers

Model	Power	V/A	Target (mm)
MC	Up to 100kW DC or 80 kHz MFAC	1000v/225A	Up to 2000

The SCI MC-Series end block provides high-performance and reliability in a compact design



MC MOUNTING HOLE DIMENSIONS

TOLERANCES  
 XXXmm = ± 1.0mm  
 XXX.Xmm = ± 0.1mm